

## Laminated Shunts

SEEDORFF ACME Corp. offers shunts adopted from a different process than other manufacturers of laminated Shunts. SEEDORFF ACME Corp's shunts are **wound and formed** without cutting the ends.

Because the laminations are not cut, but continue around the ends of the shunt without interruption, the current may also flow around the ends. This results in a greatly improved distribution of current and a more even distribution of heat throughout the entire shunt.

The standard shunt is made from .005" copper laminations but .003" and .010" are available upon request.

Fill out the sheet on the next page or provide us with a drawing or print with the following information.

Length to the outside sheet (OL)

Laminations to be used .005" Etc.

Width (W)

End treatment (Clip, Solder Etc.)

Thickness, excluding clip (T)

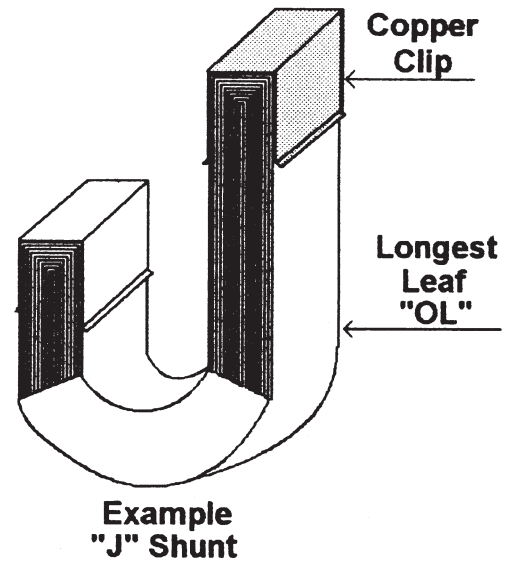
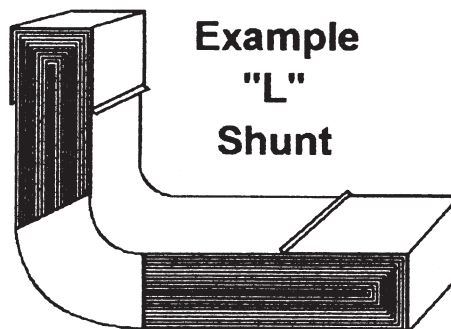
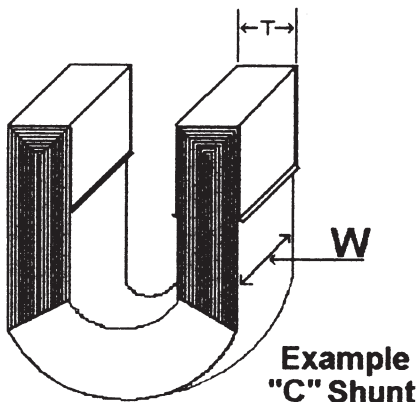
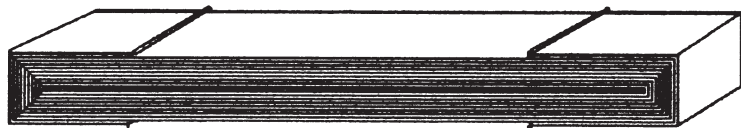
Type of shunt ("C", "J", "L" "F" Etc.)

Drill size or boll size

Drill pattern (See next page)

Examples of shunt configuration below:

### Example "F"(Flat) Shunt



All Shunts are made from .005" Thick lamination with 1/16" Copper clips riveted in place UNLESS otherwise ordered.

Type of shunt:

Type-C \_\_\_\_\_ Length of longest sheet \_\_\_\_\_  
 Type-J \_\_\_\_\_  
 Type-L \_\_\_\_\_ Width of Lamination \_\_\_\_\_  
 Type-F \_\_\_\_\_  
 Special \_\_\_\_\_ Thickness (Less Clip) \_\_\_\_\_  
 Pattern # \_\_\_\_\_ Hole Size \_\_\_\_\_ or Bolt Size \_\_\_\_\_

Hole Pattern Dimensions:

"A" \_\_\_\_\_ "A-2" \_\_\_\_\_ "B" \_\_\_\_\_ "C" \_\_\_\_\_

