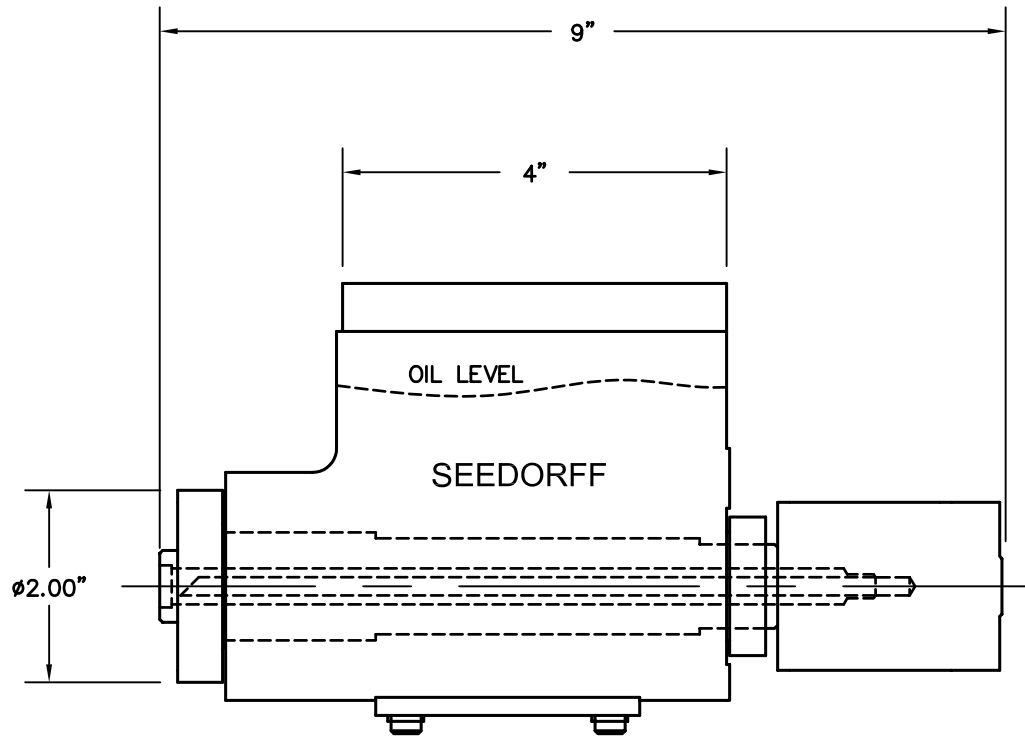
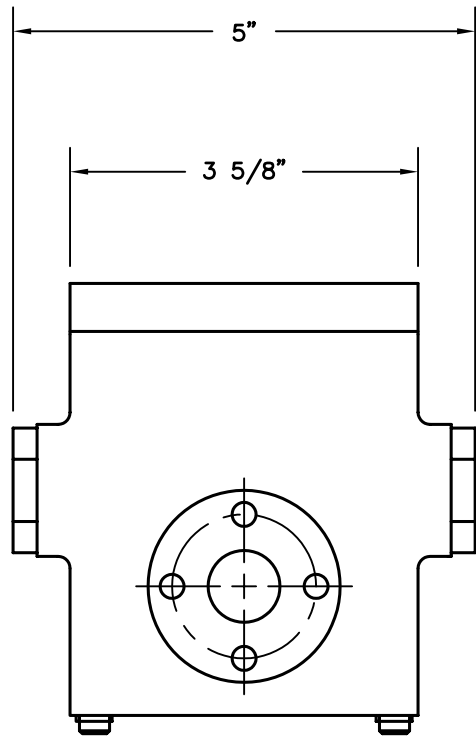


SEAM WELDING HEAD MODEL# 8423

DESCRIPTION:	SIZE 1 HEAD
TYPE:	CURRENT COLLECTOR/OIL FILLED
MAX WELDING FORCE:	650 LBS.
MAX WELDING CURRENT:	10,000 AMPS (100% D.C.)
MIN. WHEEL DIA.:	3 1/4 "



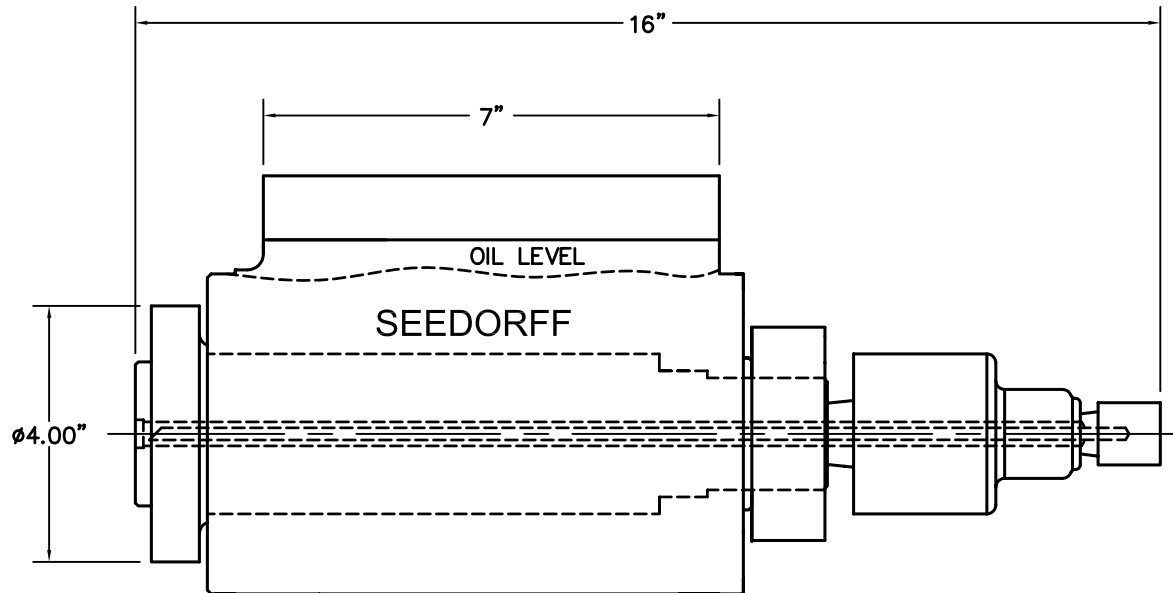
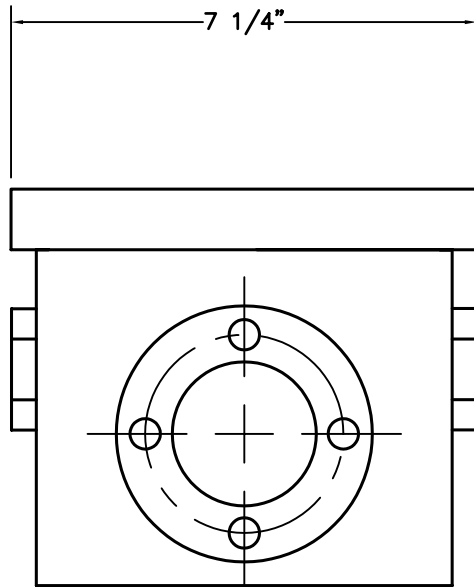
UNLESS OTHER-
WISE SPECIFIED,
TOLERANCES:
FRACTIONS=±1/32
DEC .XX=±.015
DEC .XXX=±.005
ANGLES=±1/2°

A.P. SEEDORFF & CO., INC.
RESISTANCE WELDING EQUIPMENT
TEL. 714-252-5330
FAX 714-252-5335
1338 N. KNOLLWOOD CIRCLE, ANAHEIM, CA

SCALE	DWG. SIZE	DWG. NO.	REV.
NONE	A	8423	

SEAM WELDING HEAD MODEL# 9105

DESCRIPTION	SIZE 2 HEAD
TYPE:	CURRENT COLLECTOR/OIL FILLED
MAX WELDING FORCE:	3,000 LBS.
MAX WELDING CURRENT:	22,000 AMPS (100% D.C.)
MIN. WHEEL DIA.:	5 1/2"



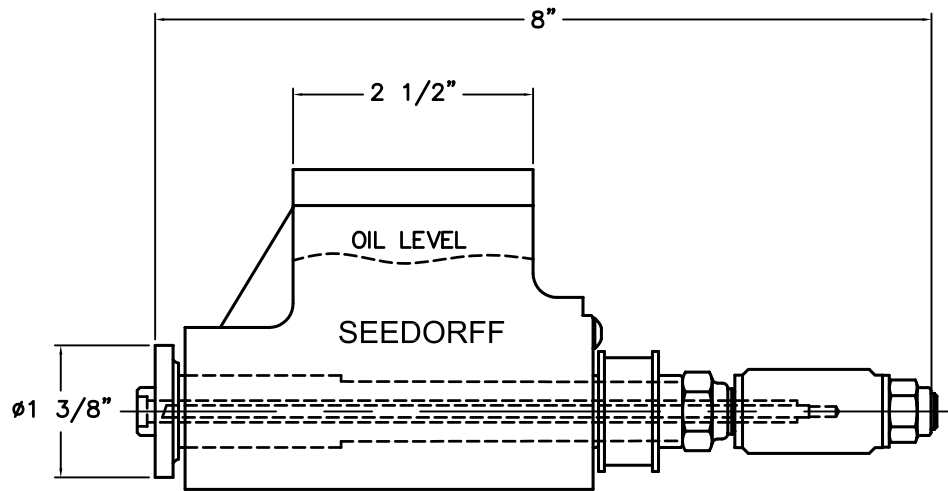
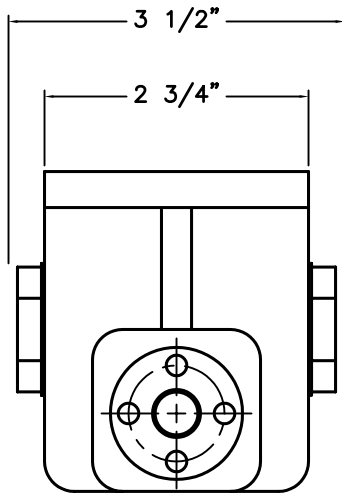
UNLESS OTHER-
WISE SPECIFIED,
TOLERANCES:
FRACTIONS=±1/32
DEC .XX=±.015
DEC .XXX=±.005
ANGLES=±1/2°

A.P. SEEDORFF & CO., INC.
RESISTANCE WELDING EQUIPMENT
TEL. 714-252-5330
FAX 714-252-5335
1338 N. KNOLLWOOD CIRCLE, ANAHEIM, CA

SCALE	DWG. SIZE	DWG. NO.	REV.
NONE	A	9105	

SEAM WELDING HEAD MODEL# 8380

DESCRIPTION:	SIZE 0 HEAD
TYPE:	CURRENT COLLECTOR/OIL FILLED
MAX WELDING FORCE:	150 LBS.
MAX WELDING CURRENT:	4,000 AMPS (100% D.C.)
MIN. WHEEL DIA.:	2 1/4"



UNLESS OTHER-
WISE SPECIFIED,
TOLERANCES:
FRACTIONS= $\pm 1/32$
DEC .XX= $\pm .015$
DEC .XXX= $\pm .005$
ANGLES= $\pm 1/2^\circ$

A.P. SEEDORFF & CO., INC.
RESISTANCE WELDING EQUIPMENT
TEL. 714-252-5330
FAX 714-252-5335
1338 N. KNOLLWOOD CIRCLE, ANAHEIM, CA

SCALE	DWG. SIZE	DWG. NO.	REV.
NONE	A	8380	