

EQUATIP Dual Tip Holders

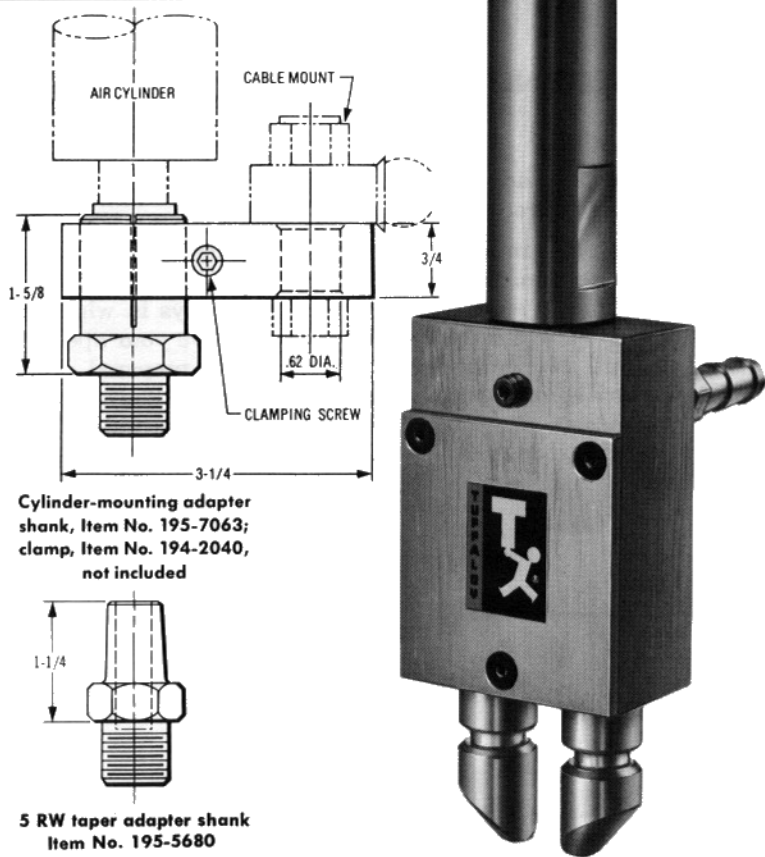
U.S. Pat. No. 3,558,847

The Equatip dual tip holder is a smaller version of the Equa-Press holder (on next page). It is more compact, and is more economical for those applications where it will work equally well. An even smaller device, the Equatip adapter (not water-cooled) is shown in box below.

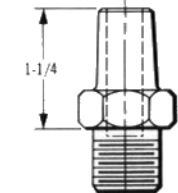
Using the Equatip holder, both tips contact the work squarely, because tip axes remain parallel to direction of force (unlike the Teeter-Tip adapters). An internal roller equalizes current and pressure between the two electrodes, and will compensate for work height variations up to $\frac{1}{16}$ ".

The holders are ordered with either 1" or $1\frac{1}{2}$ " spacing between barrels, and with tip sockets to accept either male Tuffcap caps ($\frac{5}{8}$ " dia.) or straight No. 4 RW electrodes. (Bent tips are not recommended.) The distance between welds can be varied by rotating offset-nose tips in the barrels.

Equatip holders can be supplied with straight shanks for arm mounting, a tapered adapter shank for holder mounting, or a cylinder adapter shank to be clamped to a cylinder rod.



Cylinder-mounting adapter shank, Item No. 195-7063; clamp, Item No. 194-2040, not included



5 RW taper adapter shank Item No. 195-5680

5/8-in. dia. Tuffcap caps (5 CT)

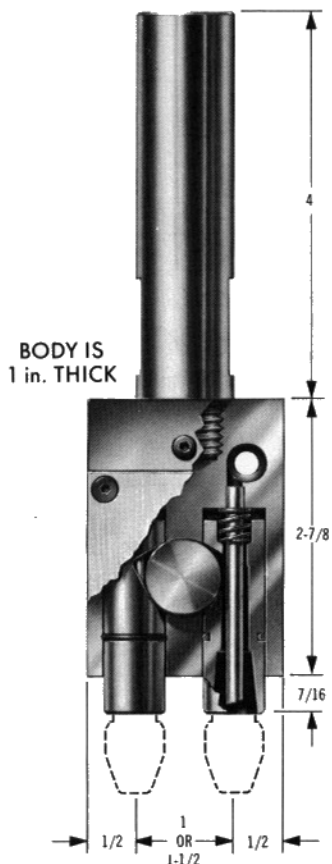
Nose Style	Alloy Class	Description	Item No.
Pointed	1	TA-15	111-0015
	2	TA-25	112-0025
Dome	1	TB-15	113-0015
	2	TB-25	114-0025
Flat	1	TC-15	115-0015
	2	TC-25	116-0025
Offset	1	TD-15	117-0015
	2	TD-25	118-0025

Those caps are fully dimensioned on page 6.

EQUATIP HOLDERS

Tip Spacing & Mounting Style	For 5/8" Dia. Tuffcap Caps		For No. 4 RW Tips	
	Description	Item No.	Description	Item No.
ONE-INCH SPACING:	1-in. shank	4050	4055	350-4055
	1-1/4-in. shank	4051	4056	350-4056
	1-1/2-in. shank	4052	4057	350-4057
	5RW adapter	4053	4058	350-4058
Cylinder adapter *	4054	4059	350-4059	
1-1/2-INCH SPACING:	1-in. shank	4150	4155	350-4155
	1-1/4-in. shank	4151	4156	350-4156
	1-1/2-in. shank	4152	4157	350-4157
	5RW adapter	4153	4158	350-4158
	Cylinder adapter *	4154	4159	350-4159

*Without clamp



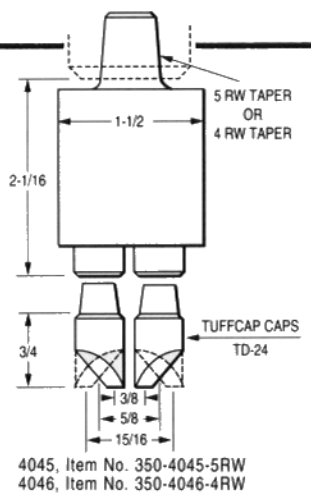
For light-duty welding— EQUATIP Adapter

The Equatip dual tip adapter works like the Equatip holder, but it is not water-cooled and is meant for less demanding jobs. It costs less, and is a little smaller, barrels being $\frac{5}{8}$ " apart. Its straight tips are TUFFCAP caps, $\frac{1}{2}$ " in diameter.

1/2-in. dia. Tuffcap caps (4 CT)

Nose Style	Alloy Class	Description	Item No.
Pointed	1	TA-14	111-0014
	2	TA-24	112-0024
Dome	1	TB-14	113-0014
	2	TB-24	114-0024
Flat	1	TC-14	115-0014
	2	TC-24	116-0024
Offset	1	TD-14	117-0014
	2	TD-24	118-0024

Those caps are fully dimensioned on page 6.



4045, Item No. 350-4045-5RW
4046, Item No. 350-4046-4RW