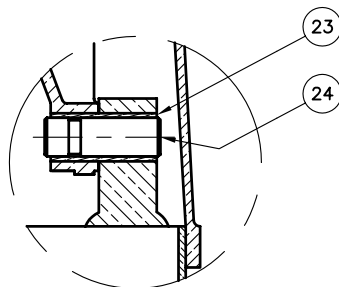
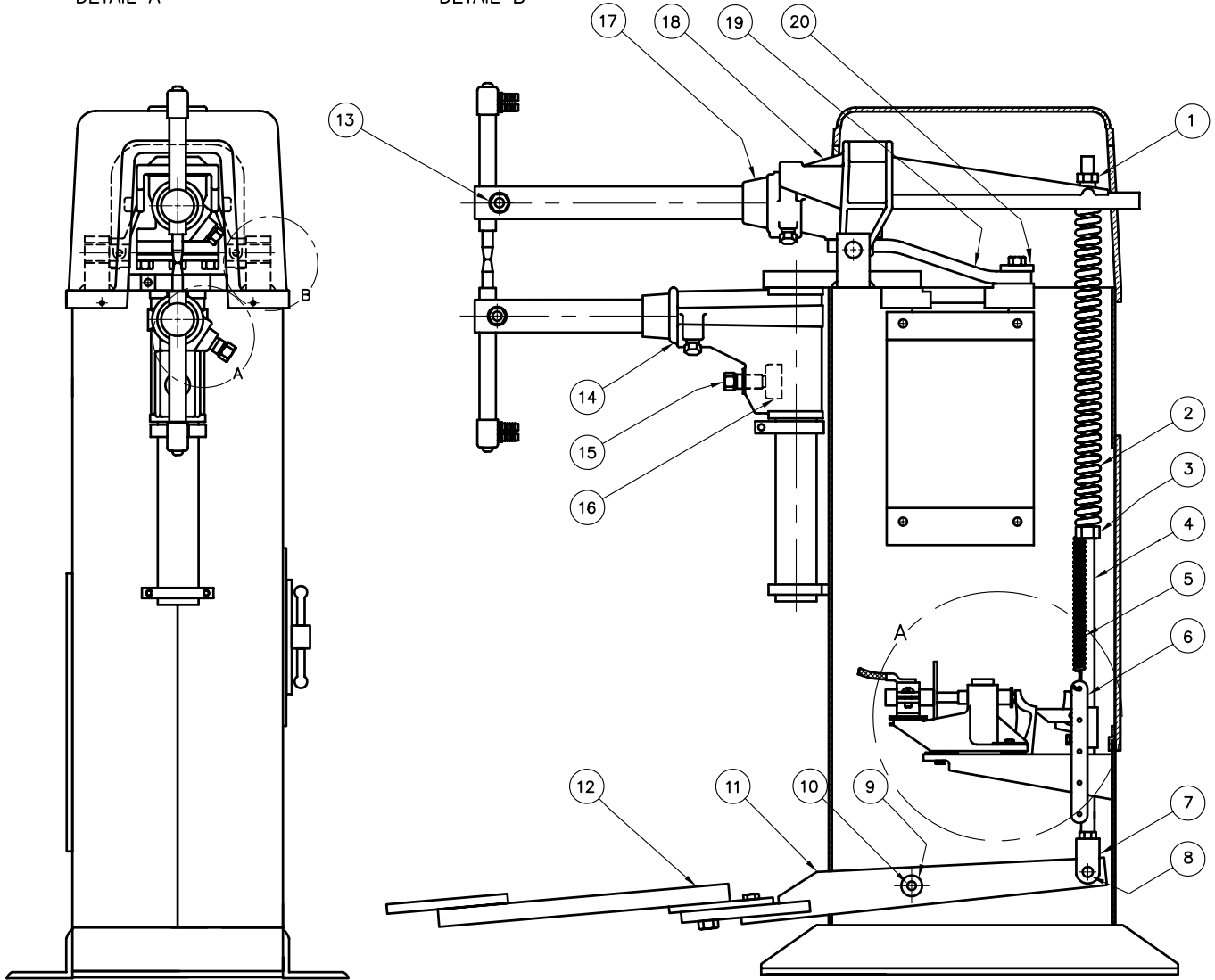


DETAIL A



DETAIL B



ITEM#	PART NO. & DESCRIPTION	ITEM#	PART NO. & DESCRIPTION
1	ADJUSTING NUT 3/4-10	13	212, ELECTRODE CLAMPING BOLT
2	COMPRESSION SPRING	14	39, KNEE
3	SPRING ADJUSTING NUT	15	376, SET SCREW (KNEE)
4	PUSH ROD	16	379, CLAMPING BLOCK (KNEE)
5	TENSION SPRINGS	17	3250, UPPER HORN HOLDER
6	HOLD DOWN STRAPS	18	3249, ROCKER ARM
7	M1, CLEVIS	19	SHUNT
8	M1-1, CLEVIS PIN	20	3273, SHUNT CLAMP PLATE
9	TREADLE BEARINGS	21	379, HORN HOLDER CLAMP BLOCK
10	TREADLE AXLE	22	376, HORN HOLDER SET SCREW
11	TREADLE	23	B-1216-12, BRONZE BEARING
12	TREADLE ROD	24	156, ROCKER ARM HINGE PIN

ACME ELECTRIC WELDER CO.
 RESISTANCE WELDING EQUIPMENT
 TEL. 714-252-5330
 FAX 714-252-5335
 1338 N. KNOLLWOOD CIRCLE, ANAHEIM, CA

**ROCKER ARM SPOT WELDER
 FOOT OP. SPARE PARTS LIST**